

### FEATURES

- Class II Safety Vest, Hi-Vi Yellow, Solid Front  
- Mesh Back, Zipper Closure
- Quality Class II Surveyor's Vest
- 2 Velcro Waist Pockets, 2 Inside Pockets,  
Cell Phone and Pencil Chest Pocket
- 2" Silver Reflective Stripes with Orange Trim
- Mic Clips on Both Sides of Chest
- ANSI/ISEA 107-2020 Type R



### APPLICATIONS

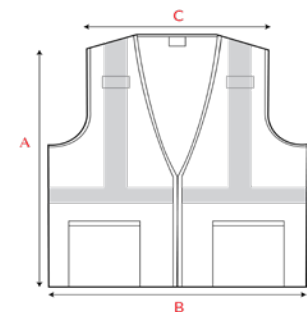
TSA, Airport Employees, Baggage Handling,  
Construction, Demolition, Emergency, Oil Field,  
Survey

### TECHNICAL DATA

PRODUCT TYPE	Safety Vest
MATERIAL	100% Polyester
COLOR	Yellow / Silver / Orange
SIZES	M - 5XL
UOM	Each
CASE PACK	50 Each

### DIMENSIONS

Size in CM	A	B	C
M	63	60	49
L	64	62	51
XL	67	66	52
2XL	70	68	56
3XL	72	70	56
4XL	73	72	56
5XL	74	74	56



\*Meet or exceed ANSI/ISEA 101-2014 size standards