

### FEATURES

- Class II Safety Vest, Hi-Vis Yellow, All Mesh, 2" Reflective Stripes, Zipper Closure
- Quality Class II Safety Vest
- 2 Velcro Waist Pockets, 2 Inside Pockets and Radio Pocket
- Mic Clips on Both Sides of Chest
- 2" Silver Reflective Stripes



### APPLICATIONS

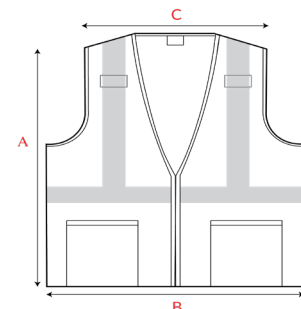
TSA, Airport Employees, Baggage Handling, Construction, Demolition, Emergency, Oil Field, Survey

### TECHNICAL DATA

PRODUCT TYPE	Safety Vest
MATERIAL	100% Polyester
COLOR	Yellow / Silver
SIZES	S - 5XL
UOM	Each
CASE PACK	50 Each

### DIMENSIONS

Size in CM	A	B	C
S	61	56	49.5
M	63	60	51
L	65	64	52.5
XL	67	68	54
2XL	69	72	55.5
3XL	71	75	57
4XL	73	78	58.5
5XL	75	80	60



\*Meet or exceed ANSI/ISEA 101-2014 size standards